



GUJART TEHCNOLOGICAL UNIVERSITY

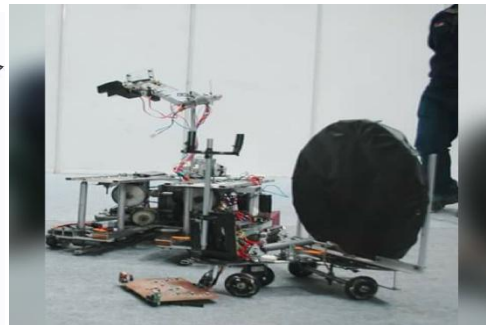
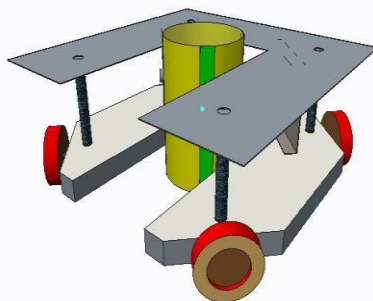
Community Innovation & Co-Creation Centre

Now Recruiting for “ROBOCON-2017”

The Vision of honourable **Vice Chancellor, Dr.Akshai Aggarwal** for **GTU - ROBOCON Team** is to build essential skills such as *Team work, Team Spirit, Management work, Pressure handling skills, Decision making skills, Extensive gain of technical knowledge, Circuit designing skill, Programming skill* among GTU engineering students. Mission of GTU ROBOCON Team is to provide an opportunity to young, enthusiastic and talented engineering students, to showcase their passion in ROBOTICS by participating on National/International Robotics competition.

ROBOCON is an International Robotics competition organized every year by Asia-Pacific Broadcasting Union (ABU), for Asia Pacific Region. In the competition, robots compete to complete a task within a time limit. Aim of this contest is to create friendship among young people with similar interests who will lead their countries in the 21st century.

The Gujarat Technological University has decided to build a **GTU team for Robotics** who will represent GTU in ROBOCON and other Robotics Competition. GTU is planning to create a consortium of student representatives from various colleges for the above cause to build a university level team. The colleague who believes in co-creation based innovation and technology development are invited to be a part of this consortium.



To register online:

<https://goo.gl/fr7Jhc>

Last Date for registration: 22-04-2016 & 1:00 p.m.

Date of Written Exam : 23-04-2016 (Saturday)

Date of Interview : 24-04-2016 (Sunday)

Registration open for BE in EC, IC, EE, CE, Mechanical, Mechatronics, Automobile Engineering

Selection of Student will be held
@ CiC3, ACPC Building, LD Engg. College Campus, Ahmedabad.

For Further Query Contact: Prof. Raj Hakani
Email Id: ap_raj@gtu.edu.in, gturobocon@gmail.com
Mobile No: - +91-9724082290

Gujarat Technological University (<http://www.gtu.ac.in/>) | CiC3 (<http://cic3.gtu.ac.in/>)

Contact: Raj Hakani[cic3@gtu.edu.in, ap_raj@gtu.edu.in] | Tel: +91-79-2630 0699; +91-7574801054